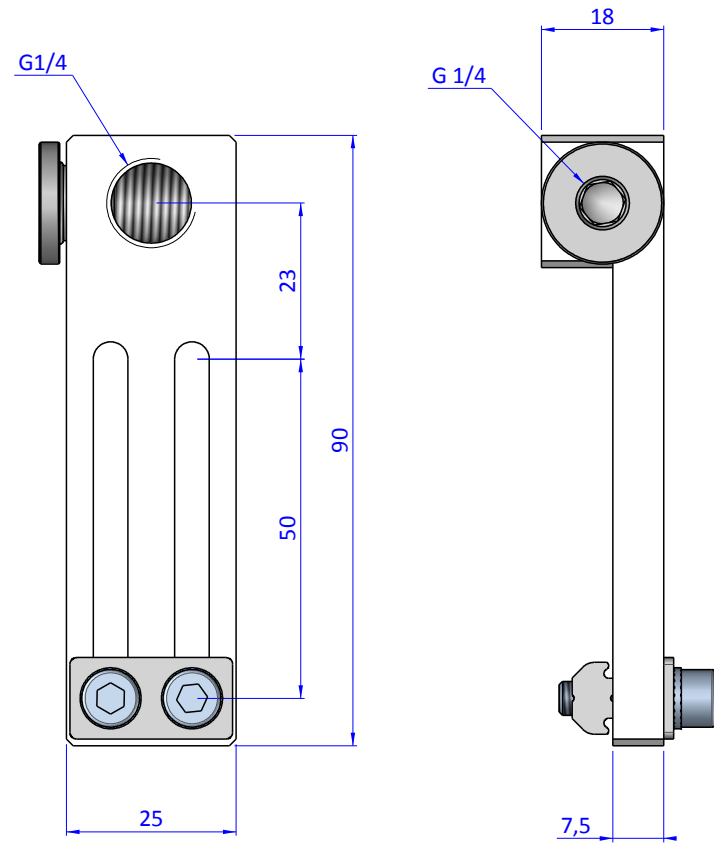
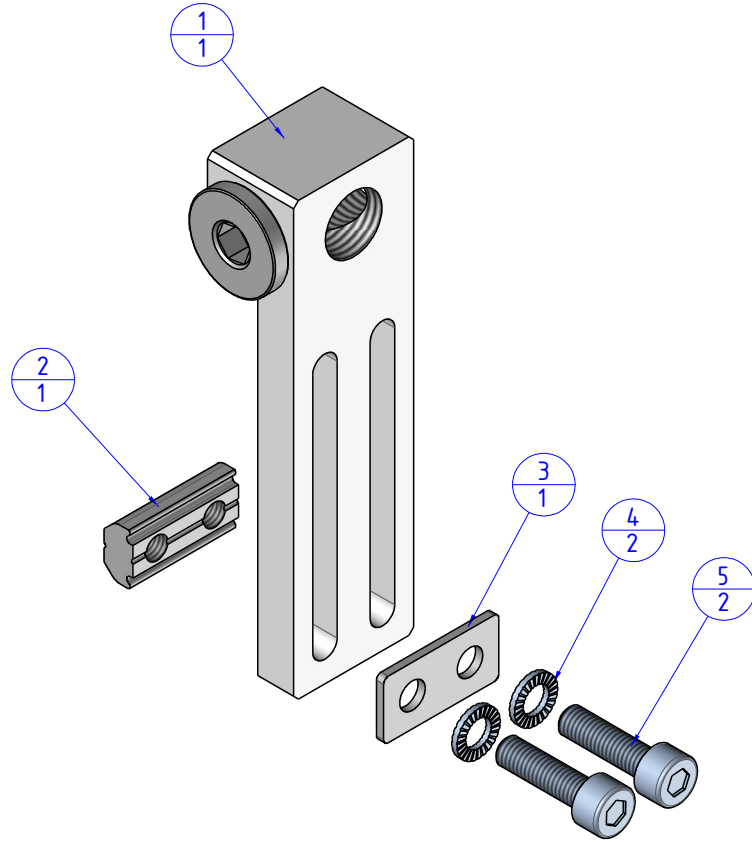


THE PROPERTY OF THE DRAWING IS ESTABLISHED BY LAW. IT IS FORBIDDEN TO PRODUCE OR SHOW IT TO THIRD PARTY, WITHOUT A WRITTEN AGREEMENT.

Item	Name	Q.ty
1	CA.WLS.14.14	1
2	GWP.5.12	1
3	R.05.12	1
4	R.5.SCH	2
5	VTCE5x18	2



Format A3

UNI 936-76

FP SERVICES AUTOMATION		DESIGNED FROM FPSERVICES		REVIEW A
GENERAL TOLERANCE UNI - ISO 2768 CLASSE f		DATE 27/02/2019	WEIGHT 0,061kg	
DESCRIPTION CA.WLS.14.14.JU			CODE CA.WLS.14.14.JU	